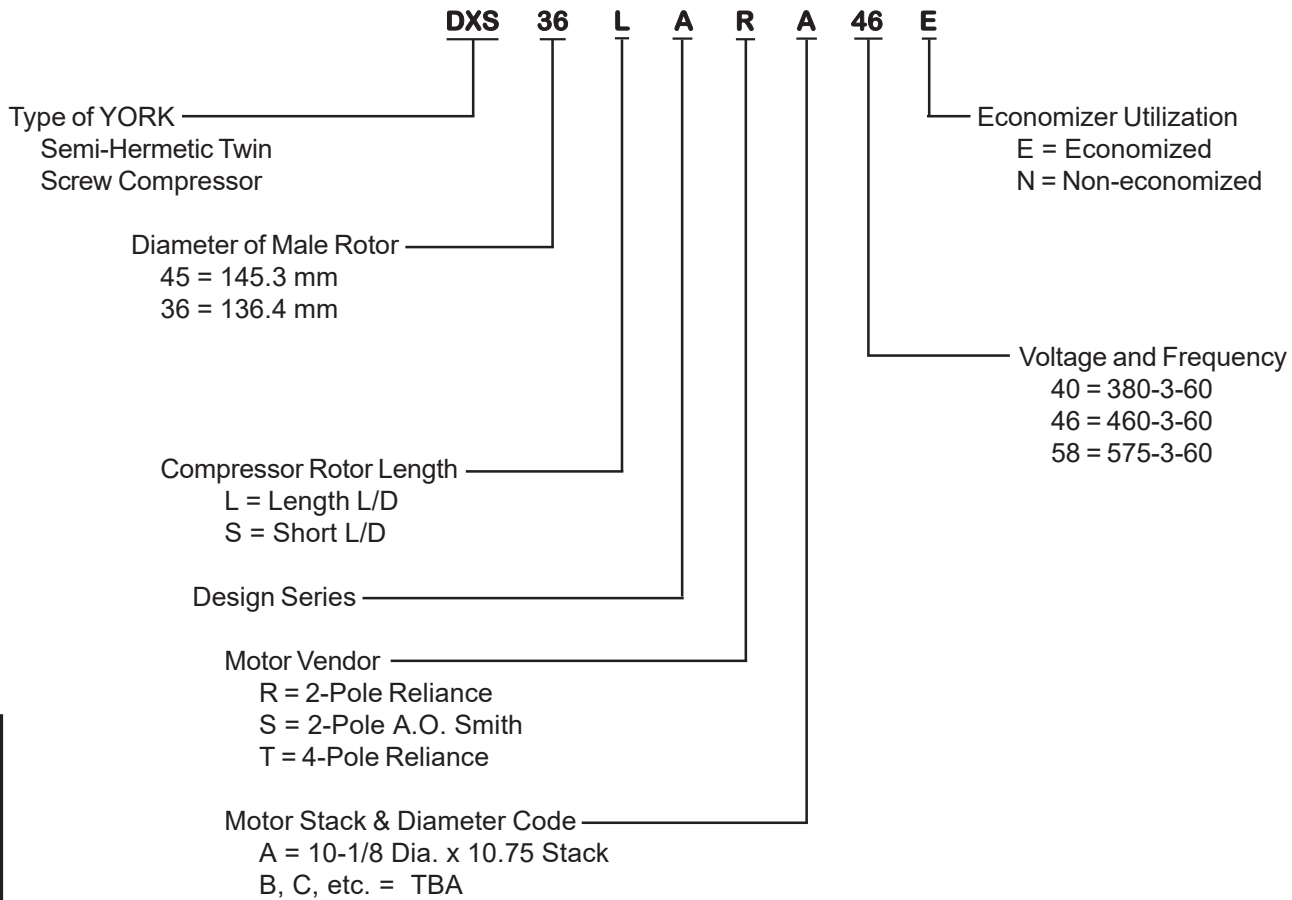


COMPRESSOR MODEL NOMENCLATURE



Compressor

COMPRESSOR WEIGHTS		
MM SIZE	WEIGHT (LBS)*	Kg
145	1310	594
136	1250	567

* LESS SERVICE VALVES

- Compressor Isolator Pad Kit
(Reduces sound and vibration)
475-37815-000 one per each compressor
(Became standard mid 2000)

Note: Compressor feet hold-down bolts, tightened from the underside of the frame rails, must be removed when the isolator pad kit is installed.

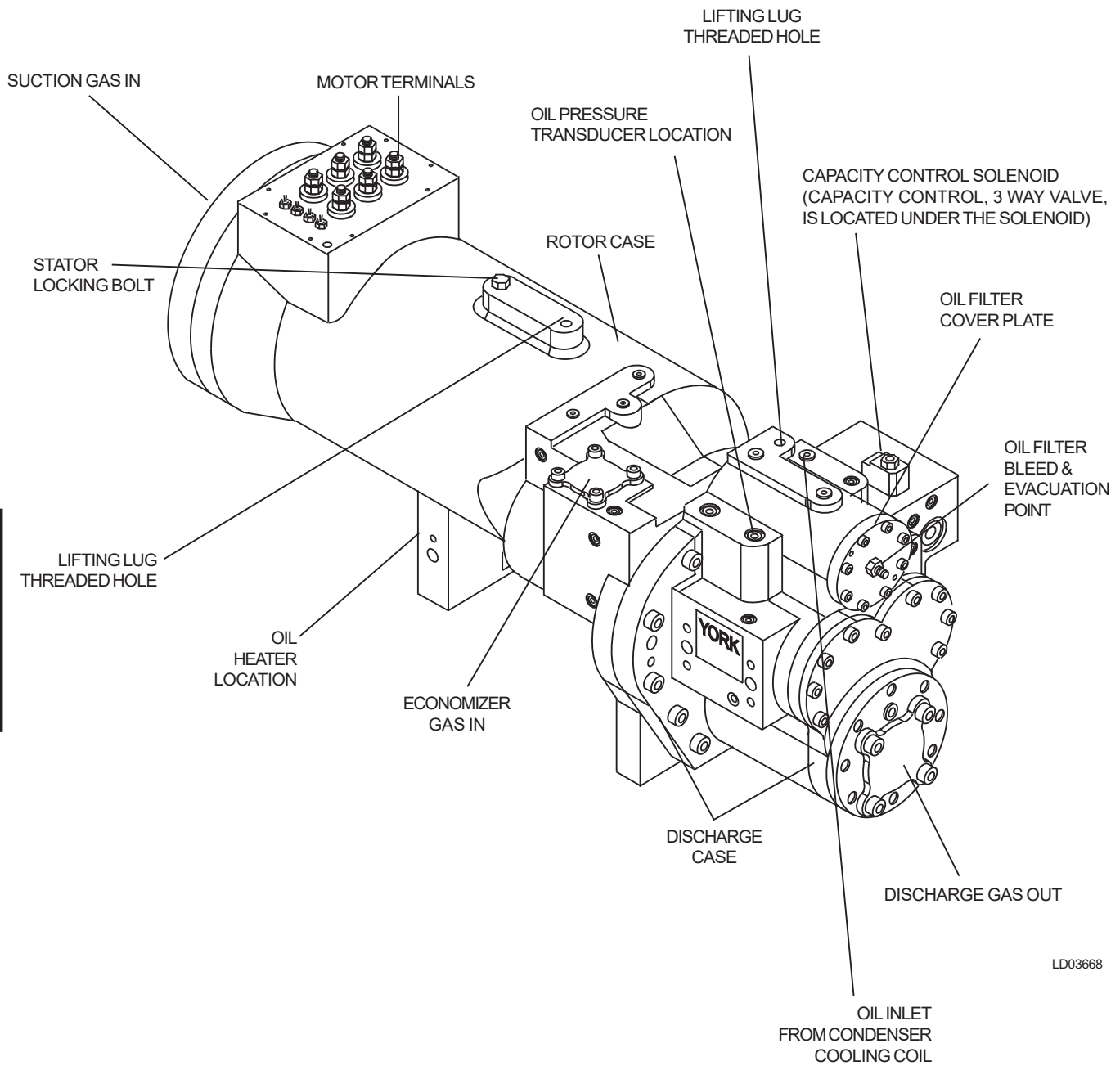
MODEL DXS COMPRESSOR PART NUMBERS

Unit	Voltage Code	MM Size			Compressor		
		Sys1	Sys2	Sys3	System # 1	System # 2	System # 3
YCAS0250	-40	136	136	136	364-49093-214	364-49093-214	364-49093-214
	-46	136	136	136	364-49093-215	364-49093-215	364-49093-215
	-58	136	136	136	364-49093-216	364-49093-216	364-49093-216
YCAS0270	-40	136	136	145	364-49093-214	364-49093-214	364-49094-214
	-46	136	136	145	364-49093-215	364-49093-215	364-49094-215
	-58	136	136	145	364-49093-216	364-49093-216	364-49094-216
YCAS0300	-40	145	145	145	364-49094-214	364-49094-214	364-49094-214
	-46	145	145	145	364-49094-215	364-49094-215	364-49094-215
	-58	145	145	145	364-49094-216	364-49094-216	364-49094-216
YCAS0330	-40	145	145	145	364-49094-214	364-49094-214	364-49094-214
	-46	145	145	145	364-49094-215	364-49094-215	364-49094-215
	-58	145	145	145	364-49094-216	364-49094-216	364-49094-216

Compressor Change Out kit – ALL Models – 464-49737-000 (Includes gaskets and o-rings)

Note: The -200 series compressors replace both the -000 (Non-Economized) and -100 (Economized) series compressors.

DXS COMPRESSOR COMPONENTS



LD03668

FIG. 11 – DXS COMPRESSOR OUTLINE

DXS COMPRESSOR COMPONENTS / RELATED PARTS

TABLE 8 – COMPRESSOR ASSEMBLY (SEE FIG. 12, PAGE 20)

ITEM NO.	PART DESCRIPTION	PART NUMBER
1	SCREW, SOCKET HD. CAP - M16 x 65mm LG.	021-19108-000
14	O-RING 3 - 908	028-13856-000
17	PLUG - HOLLOW HEX 9/16"	023-18922-000
18	O-RING 3 - 906	028-13855-000
19	PLUG - 0.032 ORIFICE	029-22716-000
20	PLUG - 0.093 ORIFICE	029-22717-000
21	PLUG, HOLLOW HEX - 3/4"	023-18923-000
22	O-RING 2 - 015	028-13858-000
23	VALVE, INTERNAL PRESSURE RELIEF	022-09711-000
25	PLUG - HOLLOW HEX 7/16"	023-18921-000
26	O-RING 3 - 904	028-13854-000
110	O-RING 2 - 138	028-13963-000
111	PLATE, VALVE COVER	064-50003-000
112	SCREW, SOCKET HD. CAP - M12 x 35mm LG.	021-30148-000
113	O-RING 2 - 278	028-13853-000
114	BEARING, FEMALE INLET	029-22704-000
115	RETAINING RING, FEMALE ROTOR	029-22721-000
116	ROTOR, FEMALE (136MM) ROTOR, FEMALE (145MM)	064-48971-000 064-48974-000
117	SPRING, CAPACITY CONTROL	028-00738-000
118	PISTON, CAPACITY CONTROL	064-49128-000
119	BEARING, MALE INLET	029-22702-000
120	RETAINING RING, MALE ROTOR	029-22720-000
121	KEY, MOUNTING	029-22701-000
122	ROTOR, MALE (136MM) ROTOR, MALE (145MM)	064-48972-000 064-48973-000
123	CASE, DISCHARGE (136MM) CASE, DISCHARGE (145MM)	064-48989-000 064-49097-000

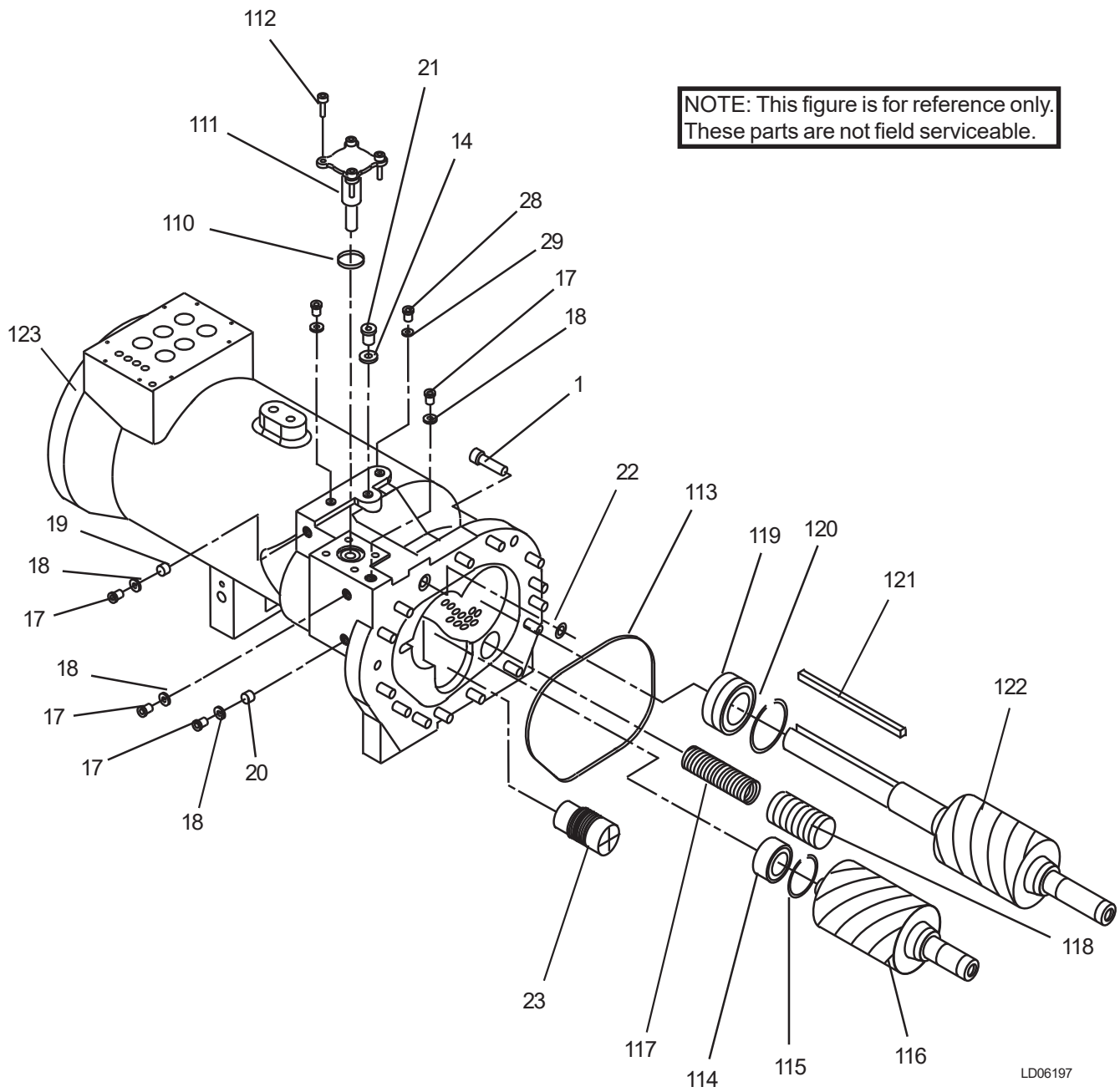
- Compressor Change Out Kit
(Includes gaskets and O-Rings)
464-49737-000 one per compressor

ITEM NO.	QTY PER COMP	DESCRIPTION	MODEL YCAS0360 - YCAS0440
50^S	1	FILTER, OIL	026-35601-000
69^S	1	O-RING	028-13849-000
OIL^S	5 GAL	OIL, TYPE L POE	011-00592-000

^SRecommended Spare Part

DXS COMPRESSOR COMPONENTS / RELATED PARTS - CONT'D

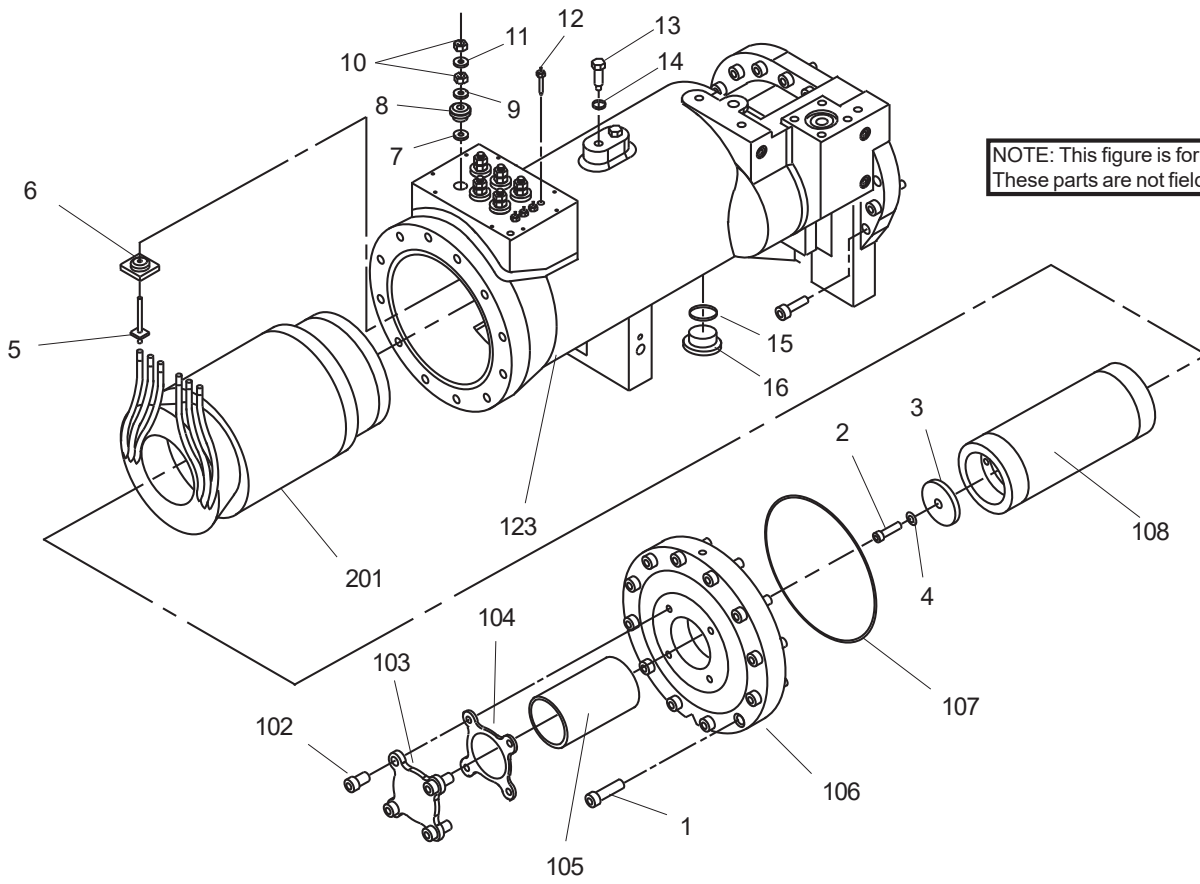
Compressor



LD06197

FIG. 12 – DXS COMPRESSOR PARTIAL EXPLODED VIEW (REF. TABLE 8, PAGE 19)

DXS COMPRESSOR COMPONENTS / RELATED PARTS - CONT'D



LD06199

FIG. 13 – COMPRESSOR COMPONENTS - 145 MM COMPRESSOR SHOWN (REF. TABLE 9, PAGE 23 AND 24)

Compressor

DXS COMPRESSOR COMPONENTS / RELATED PARTS - CONT'D

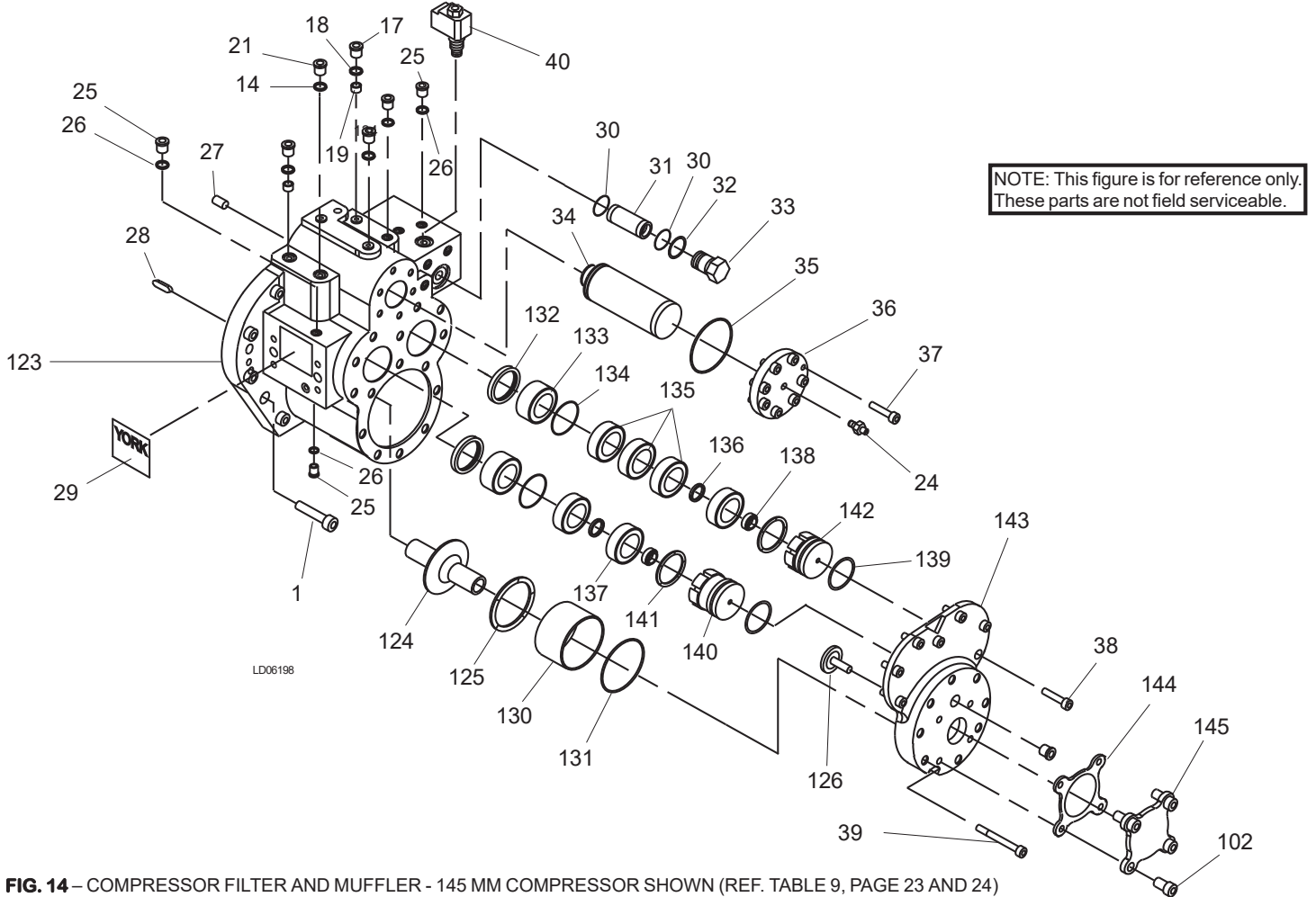


FIG. 14 – COMPRESSOR FILTER AND MUFFLER - 145 MM COMPRESSOR SHOWN (REF. TABLE 9, PAGE 23 AND 24)

DXS COMPRESSOR COMPONENTS / RELATED PARTS - CONT'D**TABLE 9 – COMPRESSOR ASSEMBLY (SEE FIGS. 13 AND 14, PAGES 21 AND 22)**

ITEM NO.	PART DESCRIPTION	PART NUMBER
1	SCREW, SOCKET HD. CAP - M16 x 65mm LG.	021-19108-000
2	SCREW, SOCKET HD. CAP - M12 x 45mm LG.	021-19116-000
3	WASHER, LOCK - M12	021-19106-000
4	WASHER, CLAMP	064-48893-000
5	BOLT, TERMINAL	021-19104-000
6	INSULATOR, BOTTOM	025-33200-000
7	SEAL, TERMINAL	028-13946-000
8	INSULATOR, TOP	025-33201-000
9	WASHER, TERMINAL	021-19117-000
10	NUT, HEAVY HEX - 7/16" - 20UNF	021-19102-000
11	WASHER, LOCK - 7/16"	021-19619-000
12	THERMISTOR, 7/16" - 20UNF - 2A	025-33202-000
13	PIN, STATOR LOCKING	064-49954-000
14	O-RING 3 - 908	028-13856-000
15	PLUG, HOLLOW HEX - 1 7/8"	023-18926-000
16	O-RING 3 - 924	028-13865-000
17	PLUG - HOLLOW HEX 9/16"	023-18922-000
18	O-RING 3 - 906	028-13855-000
19	PLUG - 0.032 ORIFICE	029-22716-000
20	PLUG - 0.093 ORIFICE	029-22994-000
21	PLUG, HOLLOW HEX - 3/4"	023-18923-000
22	O-RING 2 - 015	028-13858-000
23	VALVE, INTERNAL PRESSURE RELIEF	022-09711-000
24	VALVE, ACCESS 7/16"	022-09715-000
25	PLUG, HOLLOW HEX - 7/16"	023-18921-000
26	O-RING 3 - 904	028-13854-000
27	PIN, DOWEL - 12mm x 40mm LG.	029-22713-000
28	PIN, DOWEL - 12mm x 40mm LG. SPEC.	029-22712-000
29	PLATE, DATA	029-22722-000
30	O-RING 2 - 023	028-13859-000
31	VALVE, OIL CONTROL	022-09710-000
32	O-RING 3 - 916	028-13857-000
33	PLUG, OIL RETURN VALVE	064-49135-000
34	ELEMENT, OIL FILTER	026-35601-000
35	O-RING 2 - 152	028-13849-000
36	COVER, OIL FILTER	064-49003-000
37	SCREW, SOCKET HD. CAP - M8 x 30mm LG.	021-19115-000
38	SCREW, SOCKET HD. CAP - M10 x 45mm LG.	021-19112-000
39	SCREW, SOCKET HD. CAP - M10 x 60mm LG.	021-19113-000
40	VALVE, CAPACITY CONTROL	025-33205-000
102	SCREW, SOCKET HD. CAP - M16 x 30mm LG.	021-19118-000
103	PLATE, VALVE COVER	064-49009-000

DXS COMPRESSOR COMPONENTS / RELATED PARTS - CONT'D

TABLE 9 (CONT'D) – COMPRESSOR ASSEMBLY (SEE FIGS. 13 AND 14, PAGES 21 AND 22)

ITEM NO.	PART DESCRIPTION	PART NUMBER
104	GASKET, 3 1/2"	028-13864-000
105	STRAINER, SUCTION	026-35600-000
106	COVER, SUCTION	064-49198-000
107	O-RING 2 - 276	028-13852-000
108	MOTOR, ROTOR	024-30470-000
109	CASE, ROTOR/MOTOR	064-49120-000
111	PLUG, ECONOMIZER	064-50003-000
114	BEARING, FEMALE INLET	029-22704-000
115	RETAINING RING, FEMALE ROTOR	029-22721-000
116	ROTOR, FEMALE (136MM)	064-48971-000
	ROTOR, FEMALE (145MM)	064-48974-000
117	SPRING, CAPACITY CONTROL	028-00738-000
118	PISTON, CAPACITY CONTROL	064-49128-000
119	BEARING, MALE INLET	029-22702-000
120	RETAINING RING, MALE ROTOR	029-22720-000
121	KEY, MOUNTING	029-22701-000
122	ROTOR, MALE (136MM)	064-48972-000
	ROTOR, MALE (145MM)	064-48973-000
123	CASE, DISCHARGE (136MM)	064-48989-000
	CASE, DISCHARGE (145MM)	064-49097-000
124	ORIFICE, MUFFLER	064-49516-000
125	SPRING, MUFFLER PRELOAD	029-22904-000
126	BUTTON, CHECK VALVE	064-49504-000
130	SPACER, MUFFLER	064-49513-000
131	O-RING 2 - 161	028-13851-000
132	SEAL, LIP	028-13860-000
133	BEARING, RADIAL	029-22723-000
134	SHIM, SPACER	029-22992-000
135	BEARING, THRUST	029-22724-000
136	SHIM, REVERSE THRUST SPACER	029-22719-000
137	BEARING, REVERSE THRUST	029-22707-000
138	NUT, BEARING CLAMP	021-19120-000
139	O-RING 2 - 154	028-13867-000
140	SLEEVE, FEMALE ROTOR BEARING SPACER	064-49130-000
141	SPRING, BEARING PRELOAD	029-22708-000
142	SLEEVE, MALE ROTOR BEARING SPACER	064-49131-000
143	COVER, DISCHARGE	064-49005-000
144	GASKET, 3"	028-13863-000
145	PLATE, VALVE COVER	064-49008-000
201	MOTOR, STATOR -40	024-30469-004
	MOTOR, STATOR -46	024-30469-005
	MOTOR, STATOR -58	024-30469-006

Compressor

COMPRESSOR AND CONTROL COMPONENTS

TABLE 10 – COMPRESSOR AND CONTROL COMPONENTS (SEE FIG. 15)

ITEM NUMBER	QUANTITY	SYSTEM	DESCRIPTION	VOLTAGE CODE	PART NUMBER
13	2	1, 2 and 3	Lock Pin, Stator, EC 1099	ALL	064-49129-000
14	2	1, 2 and 3	O-ring, Lock Pin	ALL	028-13856-000
40 ^s	2	1, 2 and 3	Valve, Capacity Control	ALL	025-33205-000
204	1	1, 2 and 3	Heater, Compressor 145	120V	025-32938-000
			Heater, Compressor 136	120V	025-34511-000

^s Recommended Spare Part

TABLE 11 – COMPRESSOR STOP VALVES AND GASKETS (SEE FIG. 15)

COMPRESSOR	LOCATION	VALVE (205)	PART NUMBER	GASKET (206)
136mm	Suct.	Stop Valve - 3 5/8	022-02845-001	028-13864-000
	Disc.	Stop Valve - 2 5/8	022-09777-001	028-13863-000
	Econ.	Stop Valve - 1 3/8	022-03727-002	028-13862-000
145mm	Suct.	Stop Valve - 3 5/8	022-02845-001	028-13864-000
	Disc.	Stop Valve - 2 5/8	022-09777-001	028-13863-000
	Econ.	Stop Valve - 1 3/8	022-03727-002	028-13862-000

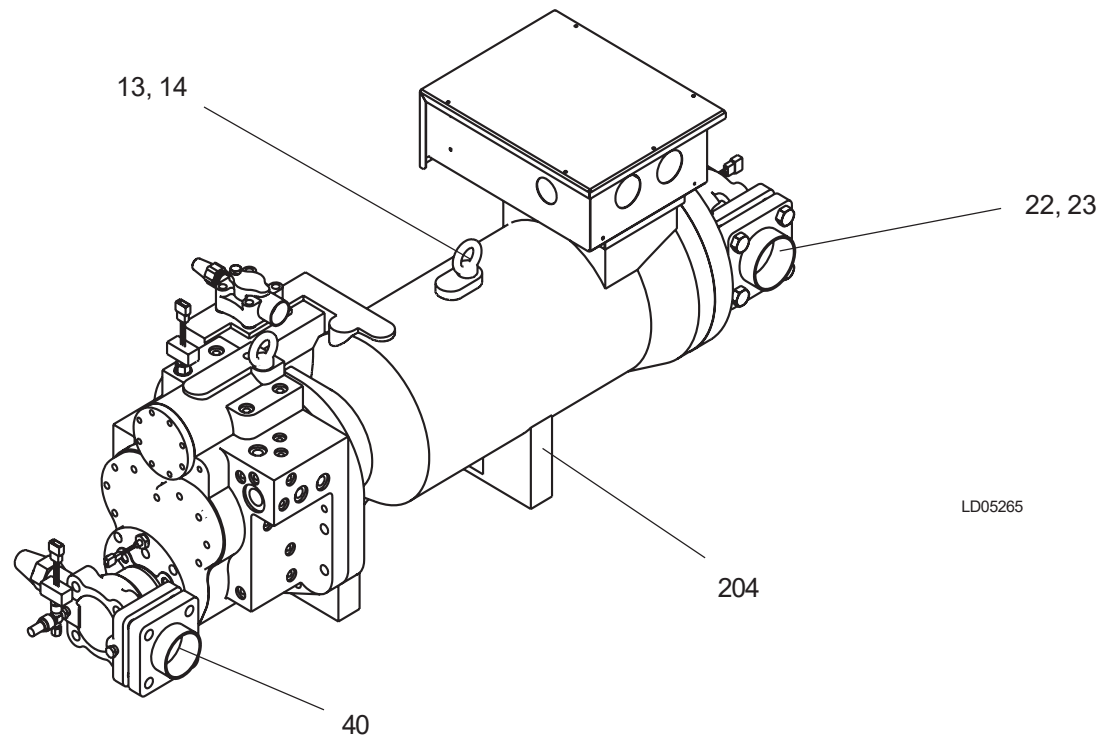


FIG. 15 – COMPRESSOR AND CONTROL COMPONENTS (REF. TABLES 10 AND 11)